

Important Technical Data

Minimum operating pressure 1.0 bar
Maximum operating pressure 5.0 bar*

Maximum hot water temperature 70°C*
Recommended hot water temperature 46°C

Note: If these temperatures or pressures are exceeded, even for short periods, damage can result. In these instances a thermostatic mixing or pressure reducing valve should be installed.

All Abode taps are either WRAS approved or manufactured in accordance with recognised European standards. Please ensure that your Abode Kitchen mixer is fitted in accordance with Local Water Byelaws.

These installation guidelines have been prepared for your direction and you must exercise due care at all times. We do not accept responsibility for problems that may occur through improper installation. Whilst assembling the tap take care not to accidentally loosen any screwed assemblies.

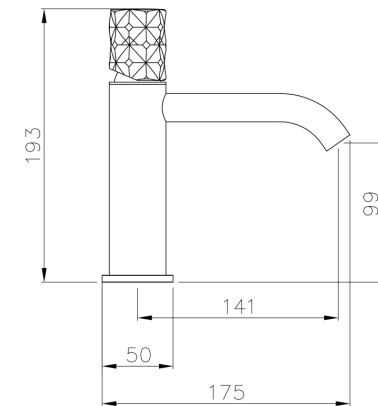
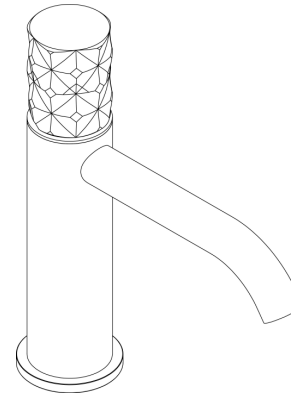
Abode is a registered trademark of Abode.

Manufacturers Product Reference

AB2741
AB2744

©Abode
02/2022

Kite Single Lever Basin



5 Year warranty

Terms and Conditions

In the unlikely event that you should experience any defect in the materials or workmanship of your new Abode mixer within 5 years of purchase, the purchaser's sole remedy shall be the replacement (at the manufacturer's discretion) of all or any part of the product that is defective. All working parts and valves are guaranteed for a period of 5 years from purchase. Decorative surface finishes and O-rings are guaranteed for 1 year from the date of purchase provided that our advice concerning care has been observed and no scouring agents have been used. This is provided that the mixer or tap has been used for normal domestic purposes and that the care, installation and maintenance instructions have been observed. The warranty extends to the original purchaser only.

Marks, scuffs and scratches caused by improper installation or accidental damage are not covered by this guarantee. Neither are shade variations or any damage or defect caused by incorrect installation or abuse of the fitting.

As we are continuously improving and developing our range of products, finishes & colours, in the event of a valid claim, we may not be able to provide an identical replacement for the defective product throughout the guarantee period. Where an identical product is no longer available, we will supply the nearest equivalent from our then current product range. In assessing your claim, we must be given the opportunity to inspect the product as installed prior to removal. Any product returns must be packaged as received and complete.

No other warranties, express or implied, are made, including merchantability or fitness for a particular purpose. Under no circumstances shall the manufacturer be liable for any loss or damage arising from the purchase, use or inability to use this product, or for any special, indirect, incidental or consequential damages. No liability is accepted for consequential damage to other household fixtures, fittings or furnishings arising from this claim, even if attached to the product. No installer, dealer, agent or employee of Abode Home Products Limited has the authority to modify the obligations or limitations of this warranty.

Care Instructions for your Basin Mixer

To maintain the appearance of this tap, ensure that it is regularly cleaned only using a clean, soft damp cloth. A solution of warm water and a mild liquid detergent may be used where necessary, and then the fitting rinsed thoroughly and wiped dry. Any other cleaning action or cleaning products will invalidate your warranty.

If the product has a removable spout diffuser it can be unscrewed and cleaned periodically in warm water to maintain flow.

Abrasive cleaners, scouring cleaners, limescale cleaners and acidic cleaners must not be used under any circumstances. Avoid contact with all solvents (including chlorinated solvents, ketones or acetones as these may result in surface deterioration or etching). Also avoid contact with any harsh household chemicals such as bleach cleaners, drain cleaners, rust removers, paint strippers and toilet bowl cleaners, toothpaste, mouthwash, bar keepers friend or Brasso.

Please leave these instructions for your customer.

abode

Unit L, Zenith Park, Whaley Road, Barnsley, S75 1HT
Tel: 01226 283434 Fax: 01226 282434 www.abodedesigns.co.uk

All errors and omissions excepted.

Parts and Contents

Key	Description	Qty
A	Tap body	1
B	Base plinth	1
C	Upper seal	1
D	Fixing stud	1
E	Lower seal	1
F	Fixing horseshoe	1
G	Fixing nut	1
H	Hot inlet tail pipe (pre-fitted seals)	1
I	Cold inlet tail pipe (pre-fitted seals)	1

Installation Instructions:

Preparation

All parts should be removed from their packaging and inspected for any transport damage and completeness prior to installation; you should read these instructions throughout before commencing installation. We do not accept responsibility for problems that may occur through improper installation. Always ensure you have sufficient hot and cold water pressure available to allow correct function before specifying or installing this product.

Before installing the new mixer it is essential that you thoroughly flush through the supply pipes in order to remove any remaining solder, swarf or impurities from your system. Failure to carry out this simple procedure could cause problems or damage to the workings of the product.

We strongly recommend installing particle filters and isolation valves to both the hot and cold feed pipes in an accessible position. This will help to prevent premature failure of the valves and ease any future maintenance.

All serviceable parts should be given suitable access to allow easy future maintenance.

Shut off your water heating system and ensure that your mains stopcock is closed. Ensure both the hot and cold water supplies are isolated before commencing installation.

You should ensure that the product will both fit into the depth of the mounting surface available and reach the required outlet position before installation. This product requires 32-35mm Ø taphole

Loosely position the tap and connecting pipes to check if any alteration to the existing pipework is required, if this is the case do this now.

Installation

1. Screw in the fixing stud (**D**) into the base of the tap body (**A**).
2. Screw tail pipes (**H**) & (**I**) into the base of the tap of body (**A**).
3. Pass the base plinth (**B**) then the upper seal (**C**) over the fixing stud (**D**) and tail pipes (**H, I**).
4. Place the tap assembly on the basin, passing the tail pipes (**H, I**) and studded rod (**D**) through the taphole.
5. Pass the lower seal (**E**) and then metal horseshoe (**F**) over fixing stud (**D**) and around the tail pipes (**H, I**).
6. Fasten fixing nut (**G**) securely onto fixing stud (**D**) to fix the tap (**A**) into its correct location.
7. Connect the inlet pipes (**H, I**) to the water mains using ½" BSPx15mm compression fittings.

After installation

Once you have visually checked the installation of the new mixer and all connections, ensure that all other fittings are closed except the new mixer which should be left open.

Turn on your water heating system and ensure that your mains stopcock is open. Reconnect both the hot and cold water supplies to this fitting.

Check the function of flow and function of hot, cold and mixed water.

Turn off the mixer and check carefully for any leaks around all connections on the fitting and adjoining plumbing. If possible return to the installation after a longer period to double check for slower leaks. If pressure testing equipment is available check the installation to the maximum recommended pressure.

Clean the tap to remove any marks created during installation as instructed then place a bag over the product to protect the tap until it is ready for use.